

SPEC SHEET
PX81-I

Interchangeable with
Model TH-D1VA

PX81 Series
4-20 mA Output
0-1 to 0-500 psid
0-70 mbar to 0-35 bar
Differential Pressure

1 bar = 14.5 psi
1 kg/cm² = 14.22 psi
1 Atmosphere = 14.7 psi = 29.93 in-Hg = 760.2 mm-Hg = 1.014 bar

- ☑ High Accuracy Wet/Wet Differential Pressure
- ☑ All Stainless Steel Construction for Harsh Industrial Environments
- ☑ High Operating Temperature
- ☑ 5 Point Calibration Provided
0%, 50%, 100%, 50%, 0%

The OMEGADYNE™ PX81 Series wet-wet, differential pressure transducers are compact, high accuracy transducers designed for industrial applications where low drift and long term reliability are important. Their low temperature compensation error minimizes errors due to changing process temperatures and the rugged all stainless steel construction allows the PX81 to withstand typical harsh industrial environments found in chemical and industrial plants.

HIGH ACCURACY WET/WET DIFFERENTIAL PRESSURE TRANSMITTER

\$685
Model Shown



**For Sales and Service
In U.S.A. and Canada**

1-800-872-3963SM
1-800-USA-DYNE

International Customers Dial
(614) 965-9340
24-Hour FAX (614) 965-9438

OMEGADYNESM FAX

OMEGADYNE's 24-Hour
On-Line Publishing Service

1-800-344-3963SM
1-800-DIG-DYNE

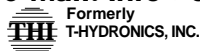
Document # 3704

OMEGADYNE, Inc.

149 Stelzer Court, Sunbury, OH 43074

<http://www.omegadyne.com>

e-mail: info@omegadyne.com



© COPYRIGHT 1996 OMEGADYNE, INC. ALL RIGHTS RESERVED.

► **Most Popular Models Highlighted** ◀

Prices Shown in U.S. Dollars

To Order: (Specify Model Number)			
Models with 4-20 mA Output			
Range (psid)	Model Number	Price	Compatible Meters
0-1	PX81D[*]-001DI	\$685	INFP, INFCP, IDP
0-2	PX81D[*]-002DI	685	INFP, INFCP, IDP
0-5	PX81D[*]-005DI	685	INFP, INFCP, IDP
0-10	PX81D[*]-010DI	685	INFP, INFCP, IDP
0-20	PX81D[*]-020DI	685	INFP, INFCP, IDP
0-50	PX81D[*]-050DI	685	INFP, INFCP, IDP
0-100	PX81D[*]-100DI	685	INFP, INFCP, IDP
0-200	PX81D[*]-200DI	685	INFP, INFCP, IDP
0-300	PX81D[*]-300DI	685	INFP, INFCP, IDP
0-500	PX81D[*]-500DI	685	INFP, INFCP, IDP

Interchangeable with Model TH-D1VA

Metric Ranges Available - Consult Engineering

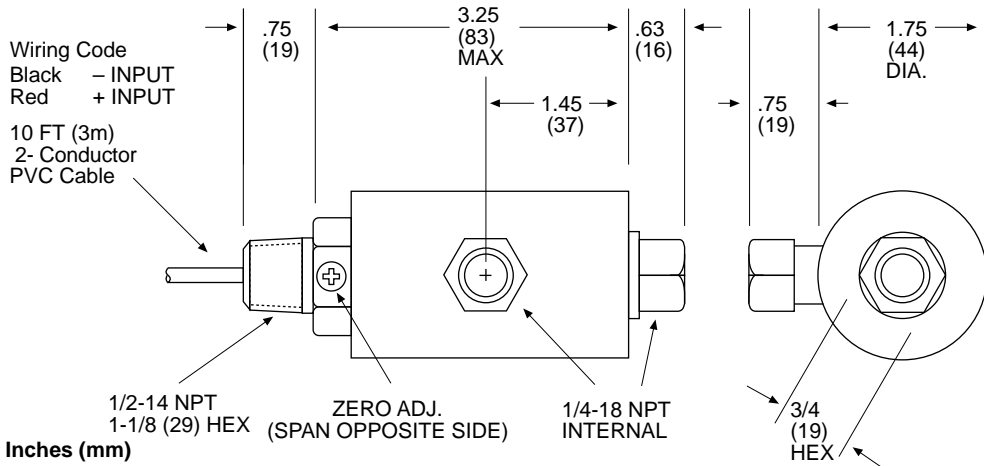
[*] Insert 0 for 10 ft cable or 1 for Bendix Connector

Ordering Examples: 1.) **PX81D1-300DI** is a 300 psi differential pressure transducers with 4-20 mA output and a Bendix connector, \$685. Mating Connector (not included) **PT06F-10-6S**, \$26.50. 2.) **PX81D0-010DI** is a 10 psi differential pressure transducers with 4-20 mA output and 10 ft (3m) shielded PCV cable, \$685.

Printed On Recycled Paper



PX81 Current Output



Dimensions Shown in Inches (mm)

SPECIFICATIONS:

Electrical: 4-20mA Output

Excitation: 10-40 Vdc

Output: 4-20 mA ±10%

Zero Balance: 4 mA +10% -2% adj

Performance:

Accuracy Class: 0.25% Linearity, Hysteresis and Repeatability Combined

Environmental:

Operational Temp Range:

-46 to +121°C (-50 to +250°F)

Compensated Temp Range:

+17 to +71°C (+60 to +160°F)

Thermal Effects:

Zero: ±0.005% FSO/°F

Span: ±0.0045% Rdg/°F

Pressure:

Ranges psid: 1, 2, 5, 10, 20, 30, 50, 100, 300, 500

Proof Pressure: 150% rated pressure

Burst Pressure: 300% rated pressure

Mechanical:

Wetted Parts: 17-4 PH Stainless Steel

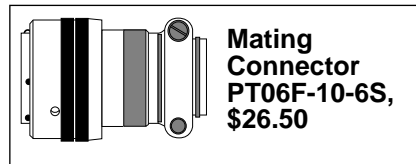
Pressure Port: 1/4-18 NPT Female

Electrical Connection: 10 ft (3m)

2-conductor Shielded PVC Cable

Optional: PT1H-10-6P (or equal)

Mating Connector: PT06F-10-6S (not included)



Mating Connector PT06F-10-6S, \$26.50



Model PX81D1-005DI
Shown Smaller Than Actual Size

CUSTOM CONFIGURATIONS:

SERIES	PRESSURE PORT	ELECTRICAL CONNECTION	RANGE CODE (PSID)	UNITS	OUTPUT	OPTIONS
PX81	[1]	[2]	[3]	[4]	[5]	[6]
	D = 1/4-18 NPT-F (Standard)		001*	D = differential pressure	V = mV/V Output	-OL Overload stops +\$45
			002*		\$550	• See page K-6 for additional options including extended compensated temperatures.
			005		5T= 0-5 Vdc	
			010		\$685	
			020		I = 4-20 mA	
			030		\$685	
			050			
			100			
			200			
			300			
			500			
	0 = 10 ft (3m) PVC Cable \$2/ft over 10ft					
	1 = PT1H-10-6P Connector or equal (no charge). Mating Connector (not included) order PT06F-10-6S \$26.50					

*Available only on Amplified Models

To Order a Custom Configuration:

1. Select a Pressure Port
2. Select Electrical Connection
3. Select a Pressure Range
4. Select Pressure Units
5. Select Output
6. Select Options and Agency Approvals

Interchangeable with Model TH-D1

Metric Ranges Available - Consult Engineering

Ordering Examples: 1.) PX81D0-500DI is a 500 psid range model with 4-20 mA output and 10 ft (3m) PVC cable, \$685.

2.) PX81D0-005DV is a 5 psid range model with mV/V output and 10 ft (3m) PVC cable \$550

3.) PX81D1-200D5T is a 200 psid range model with 0-5 Vdc output with an integral connector, \$685. Mating connector, PT06F-10-6S, \$26.50.

4.) PX81D0-012DI is a 12 psid range model with 4-20 mA output with a 10 ft (3m) cable, \$685.

Look for OMEGADYNE Products on the World Wide Web!

http://www.omegadyne.com

e-mail: info@omegadyne.com